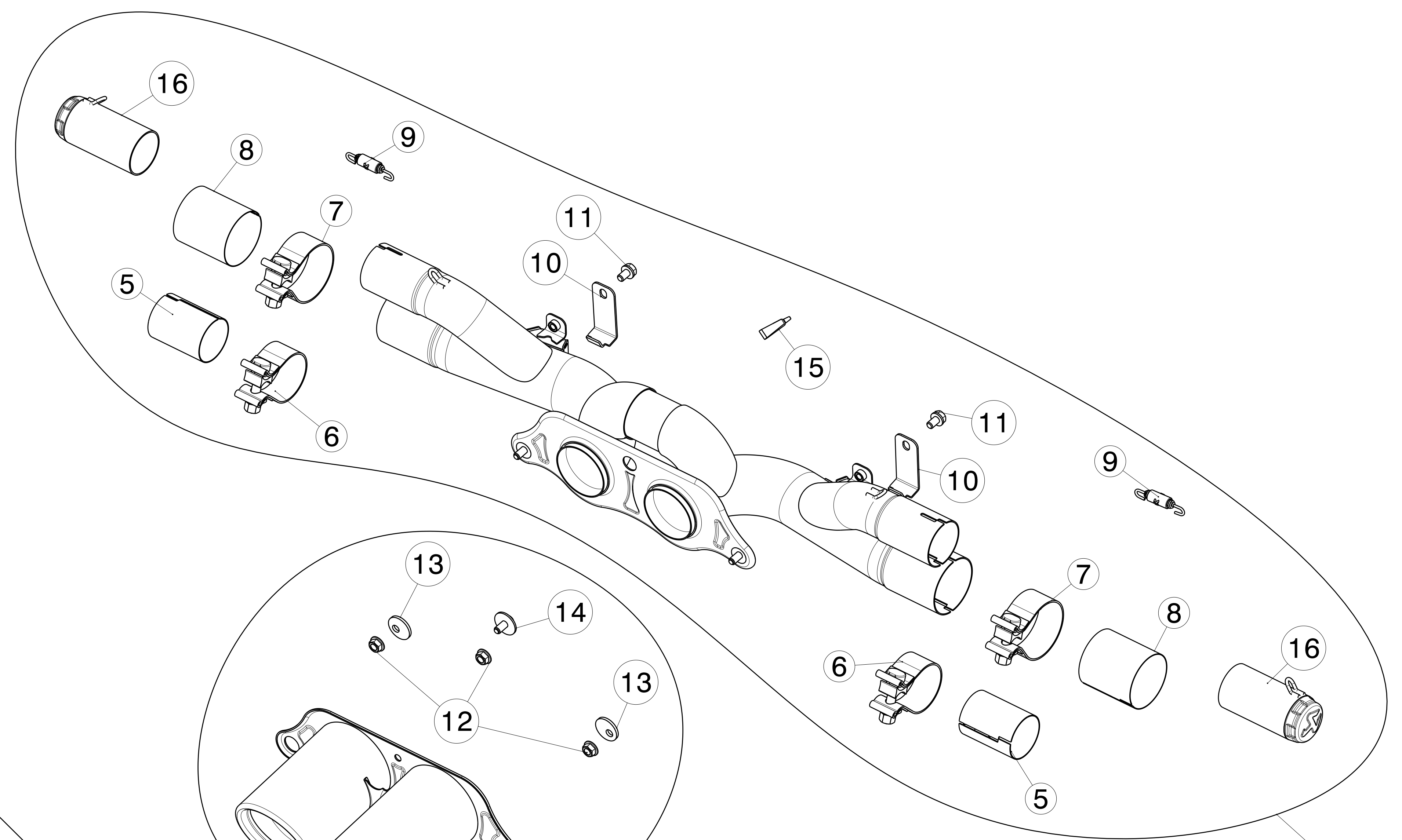
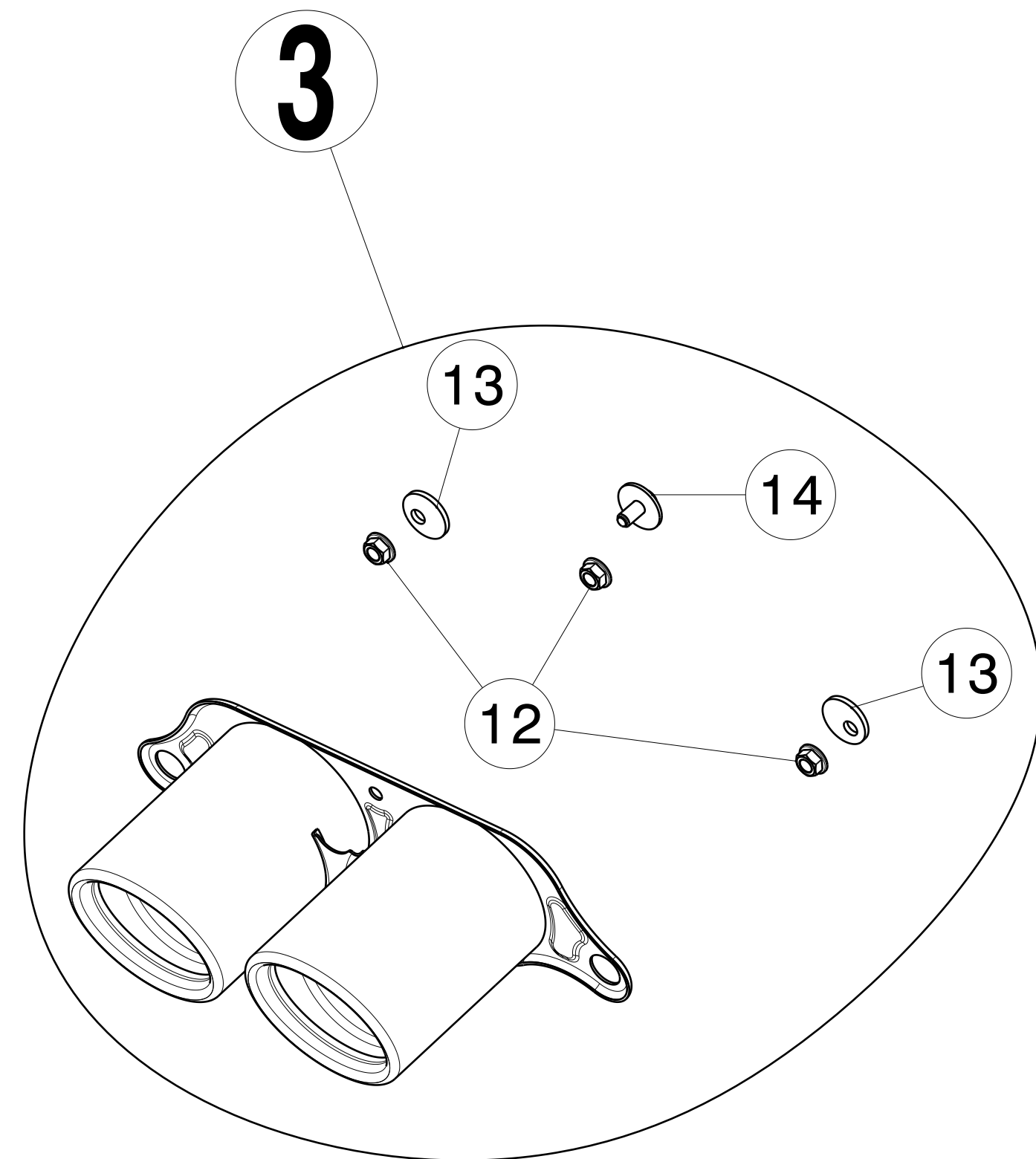
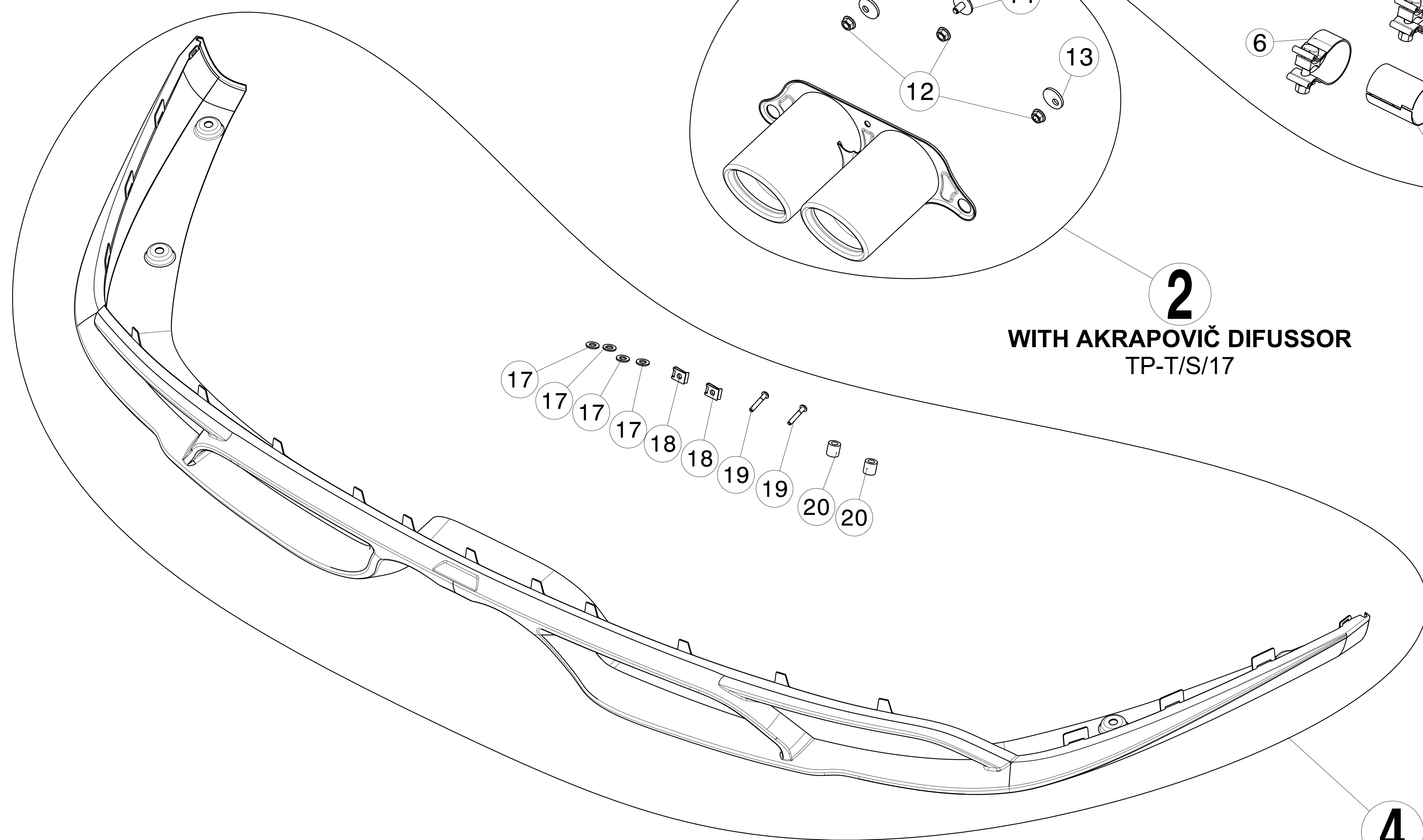


TP-T/S/19  
FOR STOCK DIFUSSOR



WITH AKRAPOVIČ DIFUSSOR  
TP-T/S/17



DI-PO/CA/7/G

**Note: Diffuser DI-PO/CA/7/G has to be used with tail pipe set TP-T/S/17  
Slip-on system for GT3 RS OPF model must be mandatory combined with Evolution Header Set (E-PO/T/6)**

No.	SalesCode	Description	Qty.
1	S-PO/TI/8	slip on system	1
2	TP-T/S/17	tail pipe TI	1
3	TP-T/S/19	tail pipe TI	1
4	DI-PO/CA/7/G	carbon diffuser GLOSSY for GT3 RS 991.2	1
5	P-CP028	bouche	2
6	P-R80	clamp SS	2
7	P-R68	clamp SS	2
8	P-CP029	bouche	2
9	P-S2/1	spring	2
10	P-X219	bracket (SS)	2
11	P-FB54	bolt	2
12	P-FN12	nut	3
13	P-DR92	washer TI	2
14	P-DR146	washer (TI)	1
15	P-HF33	ceramic paste	1
16	P-HF1148	Cover bouche (TI)	2
17	P-DR47	washer SS	4
18	P-FN1	nut	2
19	P-FB96	bolt	2
20	P-DR127	spacer bushe PVC	2